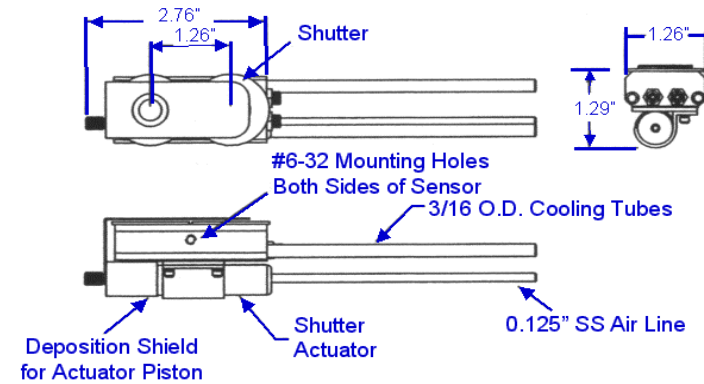


SH 700

Dual Crystal Sensor Heads

Features

- > Maximum bake out temperature is 175 degrees C
- > Stainless Steel
- > Especially suited for hot and cold applications
- > Swagelok kit provided for easy connection to feedthrough



ORDERING INFORMATION

Standard Dual Crystal Sensor head

Part No	700-009	700-010	700-125
Specifications			
Cooling line diameter	3/16"	1/8"	1/4"
Number of Cooling Tubes	2	2	2
Number of Air Tubes	1(1/8")	1	1
Microdot connector	2	2	2
Cable Included	Yes	Yes	Yes
Shutter	Both Crystals	Both Crystals	Single Crystal
Swagelok Connectors Supplied	x3	x3	x3
Price	£1,490	£1,490	£1,490

Right Angled Dual Sensor head

	700-062	700-063
	1/8"	3/16"
	2	2
	1	1
	2	2
	Yes	Yes
	Both Crystals	Both Crystals
	x3	x3
Price	£1,490	£1,490

Notes: Intellevation quartz crystal thin film sensors are compatible with most Monitors and Controllers. A wide range of water cooled, non water cooled, compact, high temperature, right angled, single and dual shuttered sensors are available and all standard sensors are easily modified to suit exact requirements. All prices given above are excluding Postage & Packing and excluding VAT or other duties that may be applicable. Please contact the sales team at Intellevation for assistance.

Date: 6-May-09

sales@intellevation.co.uk