

# SH 700

## Single Crystal Sensor Heads

### Features

- > Maximum bake out temperature is 175 degrees C
- > Stainless Steel
- > Swagelok kit provided for easy connection to feedthrough

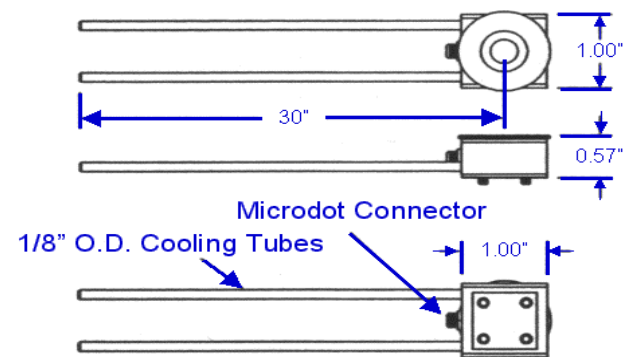
### ORDERING INFORMATION

#### Standard Single Crystal Sensor head

Part No	700-001	700-002	700-003	700-011	700-088
<b>Specifications</b>					
Cooling line diameter	1/8"	3/16"	1/4"	1/8"	3/16"
Number of Cooling tubes	2	2	2	2	2
Number of Air tubes	0	0	0	1	1 (1/8")
Microdot connector	1	1	1	1	1
Swagelok Connectors Supplied	x2	x2	x2	x2	x2
Cable included	Yes	Yes	Yes	Yes	Yes
Shutter	No	No	No	Yes	Yes
<b>Price</b>	<b>£380</b>	<b>£380</b>	<b>£400</b>	<b>£1,120</b>	<b>£1,120</b>

#### Right Angled Single Sensor head

700-065	700-066
1/8"	3/16"
2	2
0	0
1	1
x2	x2
Yes	Yes
No	No
<b>£380</b>	<b>£380</b>



**Notes:** Intellevation Quartz crystal thin film sensors are compatible with most Monitors and Controllers. A wide range of water cooled, non water cooled, compact, high temperature, right angled, single and dual shuttered sensors are available and all standard sensors are easily modified to suit exact requirements. All prices given above are excluding Postage & Packing and excluding VAT or other duties that may be applicable. Please contact the sales team at Intellevation for assistance.

[sales@intellevation.co.uk](mailto:sales@intellevation.co.uk)

Date: 6-May-09