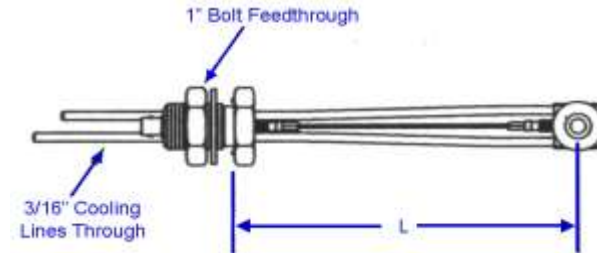


# SF 800

## Pre-assembled sensor and feedthrough combinations

### Features

- > Bakable to 175 degrees C
- > Variable length - 100mm to 500mm - please specify when ordering



### ORDERING INFORMATION

Sensor Description	No of Tubes	Tube Dia	Microdot	BNC	Mech Connect	Weld Connect	Feedthrough Description					
							1" Bolt	NW 40	32mm Bolt			
							Part Numbers & Price					
Single	2	3/16"	1	1	Y		<b>800-001</b>	<b>£923</b>	<b>800-086</b>	<b>£897</b>	<b>800-095</b>	<b>£1,053</b>
Single/Rt Angled	2	3/16"	1	1	Y		<b>800-013</b>	<b>£923</b>	<b>800-087</b>	<b>£897</b>	<b>800-096</b>	<b>£1,053</b>
Single Shuttered	3	3/16"	1	1	Y		<b>800-002</b>	<b>£1,612</b>				
Dual Shuttered	3	3/16"	2	2	Y		<b>800-005</b>	<b>£2,574</b>				
Dual Rt Ang Shuttered	3	3/16"	2	2	Y		<b>800-006</b>	<b>£2,574</b>				

Date: 12-Nov-10

**Notes:** Our line of sensor and feedthrough combinations are welded to the customer specified length and bend configuration. All assemblies are supplied with the internal coax cable attached and helium mass spectrometer leak tested prior to shipment.

All prices given above are excluding Postage & Packing and excluding VAT or other duties that may be applicable.

Please contact the sales team at Intellemetrics for assistance.

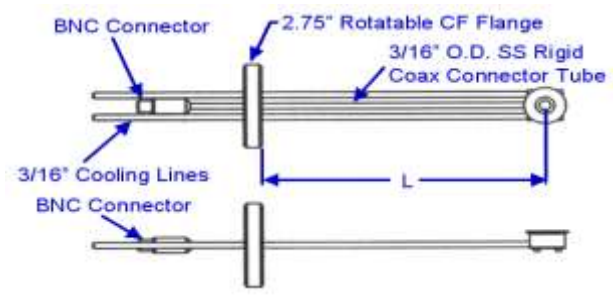
[sales@intellemetrics.com](mailto:sales@intellemetrics.com)

# SF 920

## UHV Pre-Assembled sensor and feedthrough combinations

### Features

- > Bakeable to 300 degrees C
- > Length - 100mm to 500mm - please specify when ordering
- > Rigid 3/16" Dia Coax connector tube



### ORDERING INFORMATION

Sensor Description	No of Tubes	Tube Dia	Microdot	BNC	Mech Connect	Weld Connect	Feedthrough Description	
							2 3/4" Conflat Flange	
Single	3	3/16"		1	Y		Part Numbers & Price	
Single/Rt Angled	3	3/16"		1	Y		<b>920-001</b>	<b>£1,105</b>
Single Shuttered	3	3/16"		1	Y		<b>920-002</b>	<b>£1,105</b>
Dual Shuttered	4	3/16"		2	Y		<b>920-003</b>	<b>£1,937</b>
Dual Rt Ang Shuttered	4	3/16"		2	Y		<b>920-005</b>	<b>£2,912</b>
							<b>920-007</b>	<b>£2,912</b>

Date: 12-Nov-10

**Notes:** Our line of Sensor and feedthrough combinations are welded to the customer specified length and bend configuration. All assemblies are supplied with the internal coax cable attached and housed in a rigid 3/16" tube. Each assembly is bakeable to 300 degrees C and helium mass spectrometer leak tested prior to shipment.

All prices given above are excluding Postage & Packing and excluding VAT or other duties that may be applicable. Please contact the sales team at Intellemetrics for assistance. [sales@intellemetrics.com](mailto:sales@intellemetrics.com)

# SH 700

## Single Crystal Sensor Heads

### Features

- > Maximum bake out temperature is 175 degrees C
- > Stainless Steel
- > Swagelok kit provided for easy connection to feedthrough

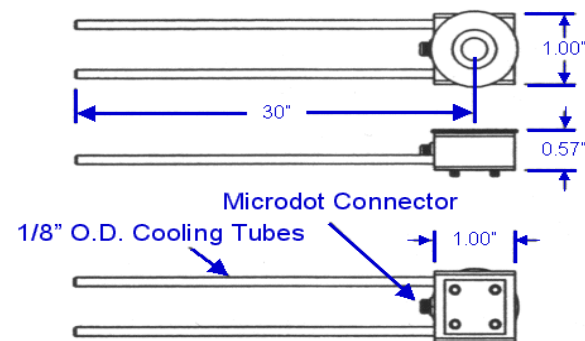
### ORDERING INFORMATION

#### Standard Single Crystal Sensor head

Part No	700-001	700-002	700-003	700-011	700-088
<b>Specifications</b>					
Cooling line diameter	1/8"	3/16"	1/4"	1/8"	3/16"
Number of Cooling tubes	2	2	2	2	2
Number of Air tubes	0	0	0	1	1 (1/8")
Microdot connector	1	1	1	1	1
Swagelok Connectors Supplied	x2	x2	x2	x2	x2
Cable included	Yes	Yes	Yes	Yes	Yes
Shutter	No	No	No	Yes	Yes
<b>Price</b>	<b>£494</b>	<b>£494</b>	<b>£520</b>	<b>£1,456</b>	<b>£1,456</b>

#### Right Angled Single Sensor head

700-065	700-066
1/8"	3/16"
2	2
0	0
1	1
x2	x2
Yes	Yes
No	No
<b>£494</b>	<b>£494</b>



Date: 12-Nov-10

**Notes:** Intellemetrics Quartz crystal thin film sensors are compatible with most Monitors and Controllers. A wide range of water cooled, non water cooled, compact, high temperature, right angled, single and dual shuttered sensors are available and all standard sensors are easily modified to suit exact requirements. All prices given above are excluding Postage & Packing and excluding VAT or other duties that may be applicable. Please contact the sales team at Intellemetrics for assistance.

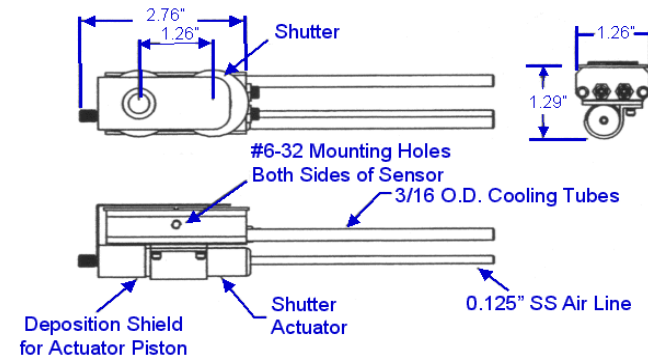
[sales@intellemetrics.com](mailto:sales@intellemetrics.com)

# SH 700

## Dual Crystal Sensor Heads

### Features

- > Maximum bake out temperature is 175 degrees C
- > Stainless Steel
- > Especially suited for hot and cold applications
- > Swagelok kit provided for easy connection to feedthrough



### ORDERING INFORMATION

#### Standard Dual Crystal Sensor head

Part No	700-009	700-010	700-125
<b>Specifications</b>			
Cooling line diameter	3/16"	1/8"	1/4"
Number of Cooling Tubes	2	2	2
Number of Air Tubes	1(1/8")	1	1
Microdot connector	2	2	2
Cable Included	Yes	Yes	Yes
Shutter	Both Crystals	Both Crystals	Single Crystal
Swagelok Connectors Supplied	x3	x3	x3
<b>Price</b>	<b>£1,937</b>	<b>£1,937</b>	<b>£1,937</b>

#### Right Angled Dual Sensor head

	700-062	700-063
Cooling line diameter	1/8"	3/16"
Number of Cooling Tubes	2	2
Number of Air Tubes	1	1
Microdot connector	2	2
Cable Included	Yes	Yes
Shutter	Both Crystals	Both Crystals
Swagelok Connectors Supplied	x3	x3
<b>Price</b>	<b>£1,937</b>	<b>£1,937</b>

**Notes:** Intellemetrics quartz crystal thin film sensors are compatible with most Monitors and Controllers. A wide range of water cooled, non water cooled, compact, high temperature, right angled, single and dual shuttered sensors are available and all standard sensors are easily modified to suit exact requirements. All prices given above are excluding Postage & Packing and excluding VAT or other duties that may be applicable. Please contact the sales team at Intellemetrics for assistance.

Date: 12-Nov-10

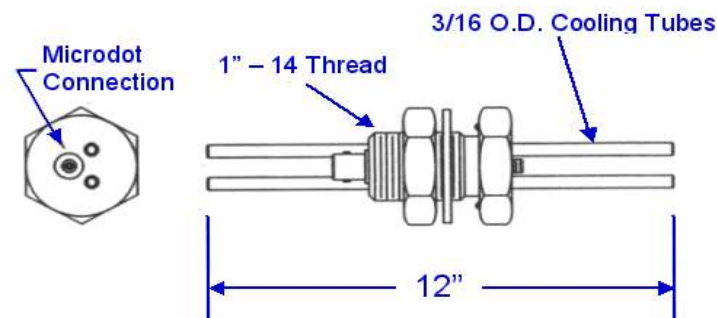
[sales@intellemetrics.com](mailto:sales@intellemetrics.com)

# FT 100

## Feedthroughs - 1" Baseplate Bolt

### Features

- > Maximum bake out temperature 175 degrees C
- > Stainless Steel



### ORDERING INFORMATION

#### Crystal Sensor feedthroughs

Part No	100-001	100-006	100-007	100-008	100-009	100-010	100-015	100-016
<b>Specifications</b>								
Cooling line diameter	3/16"	1/8"	3/16"	3/16"	1/4"	3/16"	3/16"	3/16"
Number of cooling tubes	2	2	2	2	2	2	2	2
Number of Air tubes	0	1	1	1	0	0	1	0
Microdot connector	1 Vac Side	2 Air/Vac Side	1 Vac Side	2 Air/Vac Side	1 Vac Side	3 Air/Vac Side	2 Vac Side	2 Vac Side
BNC Connector	1 Air Side	No	1 Air Side	No	1 Air Side	No	2 Air Side	2 Air Side
1/8" Compression Fittings	No	3 Vac Side	No	No	No	No	No	No
Feedthrough connection	Swagelok	Swagelok	Swagelok	Swagelok	Swagelok	Swagelok	Swagelok	SwageLok
<b>Price</b>	<b>£325</b>	<b>£754</b>	<b>£416</b>	<b>£637</b>	<b>£377</b>	<b>£663</b>	<b>£663</b>	<b>£663</b>

**Notes:** Tube sizes (Diameters and Lengths) and connector styles can be mixed and matched on any 1" baseplate bolt feedthrough. Custom and modified standard 1" baseplate bolt feedthroughs are readily available. All prices given above are excluding Postage & Packing and excluding VAT or other duties that may be applicable. Please contact the sales team at Intellemetrics for assistance.

Date: 12-Nov-10

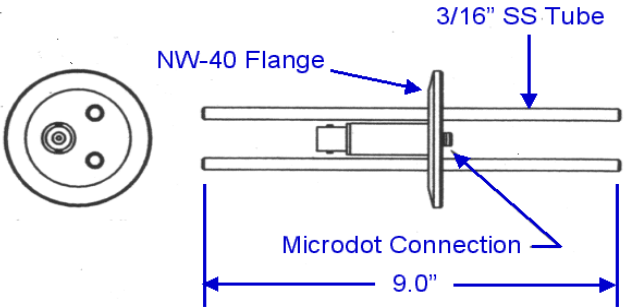
[sales@intellemetrics.com](mailto:sales@intellemetrics.com)

# FT 200

## Feedthroughs - NW Quick Flange

### Features

> Stainless Steel



### ORDERING INFORMATION

Standard Crystal Sensor feedthroughs

Part No	200-004	200-006	200-007	200-008	200-049
<b>Specifications</b>					
Cooling line dimensions	n/a	3/16"	3/16"	3/16"	3/16"
Number of Cooling tubes	n/a	2	2	2	2
Number of Air tubes	n/a	0	1	1	0
Microdot connector	1 Vac Side	1 Vac Side	2 Vac Side	1 Vac Side	1 Vac Side
BNC Connector	1 Air Side	1 Air Side	2 Air Side	1 Air Side	1 Air Side
Flange Type	NW-16	NW-40	NW-40	NW-40	NW-25
<b>Price</b>	<b>£260</b>	<b>£351</b>	<b>£494</b>	<b>£390</b>	<b>£364</b>

Date: 12-Nov-10

Notes: Tube sizes (Diameters and Lengths) and connector styles can be mixed and matched on any NW feedthrough. Custom and modified standard NW baseplate bolt feedthroughs are readily available.

All prices given above are excluding Postage & Packing and excluding VAT or other duties that may be applicable.

Please contact the sales team at Intellemetrics for assistance.

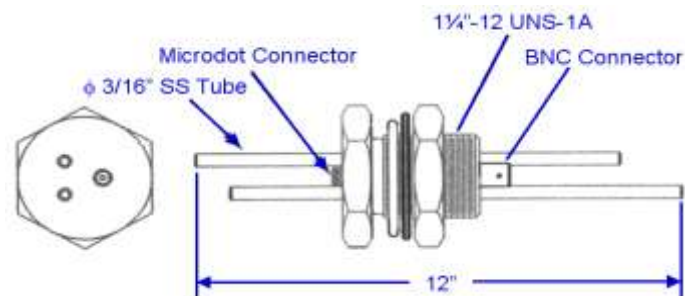
[sales@intellemetrics.com](mailto:sales@intellemetrics.com)

# FT 300

## Feedthroughs - 1 1/4" (32mm) Baseplate

### Features

> Stainless Steel



### ORDERING INFORMATION

#### Standard Crystal Sensor feedthroughs

Part No	300-003	300-005	300-007
<b>Specifications</b>			
Cooling line diameter	3/16"	3/16"	3/16"
Number of Cooling tubes	2	2	2
Number of Air tubes	0	1	1
Microdot connector	1 Vac Side	2 Vac Side	1 Vac Side
BNC Connector	1 Air Side	2 Air Side	1 Air Side
1/8" Compression Fittings	No	No	No
Feedthrough connection	Swagelok	Swagelok	Swagelok
<b>Price</b>	<b>£481</b>	<b>£741</b>	<b>£520</b>

**Notes:** Our line of 32mm baseplate bolt feedthroughs are the European standard baseplate hole size. Tube sizes (Diameters and Lengths) and connector styles can be mixed and matched on any 32mm feedthrough. Custom and modified standard 32mm baseplate bolt feedthroughs are readily available.

**Date:** 12-Nov-10

All prices given above are excluding Postage & Packing and excluding VAT or other duties that may be applicable. Please contact the sales team at Intellemetrics for assistance.

[sales@intellemetrics.com](mailto:sales@intellemetrics.com)