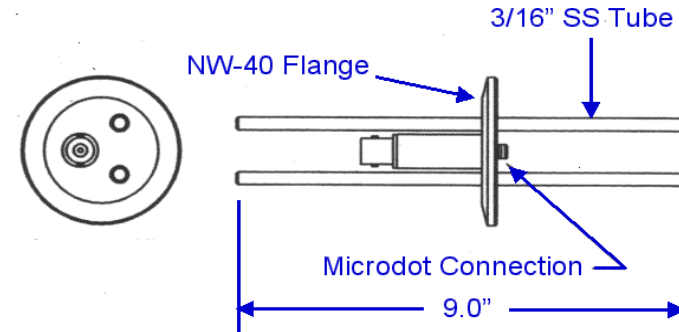


FT 200

Feedthroughs - NW Quick Flange

Features

> Stainless Steel



ORDERING INFORMATION

Standard Crystal Sensor feedthroughs

Part No	200-004	200-006	200-007	200-008	200-049
Specifications					
Cooling line dimensions	n/a	3/16"	3/16"	3/16"	3/16"
Number of Cooling tubes	n/a	2	2	2	2
Number of Air tubes	n/a	0	1	1	0
Microdot connector	1 Vac Side	1 Vac Side	2 Vac Side	1 Vac Side	1 Vac Side
BNC Connector	1 Air Side	1 Air Side	2 Air Side	1 Air Side	1 Air Side
Flange Type	NW-16	NW-40	NW-40	NW-40	NW-25
Price	£200	£270	£380	£300	£280

Date: 6-May-09

Notes: Tube sizes (Diameters and Lengths) and connector styles can be mixed and matched on any NW feedthrough. Custom and modified standard NW baseplate bolt feedthroughs are readily available.

All prices given above are excluding Postage & Packing and excluding VAT or other duties that may be applicable.

Please contact the sales team at Intellevation for assistance.

sales@intellevation.co.uk