

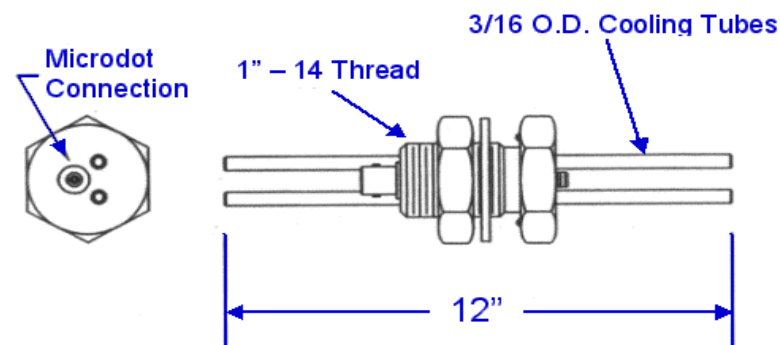
# FT 100

## Feedthroughs - 1" Baseplate Bolt

### Features

- > Maximum bake out temperature 175 degrees C
- > Stainless Steel

### ORDERING INFORMATION



#### Crystal Sensor feedthroughs

Part No	100-001	100-006	100-007	100-008	100-009	100-010	100-015	100-016
<b>Specifications</b>								
Cooling line diameter	3/16"	1/8"	3/16"	3/16"	1/4"	3/16"	3/16"	3/16"
Number of cooling tubes	2	2	2	2	2	2	2	2
Number of Air tubes	0	1	1	1	0	0	1	0
Microdot connector	1 Vac Side	2 Air/Vac Side	1 Vac Side	2 Air/Vac Side	1 Vac Side	3 Air/Vac Side	2 Vac Side	2 Vac Side
BNC Connector	1 Air Side	No	1 Air Side	No	1 Air Side	No	2 Air Side	2 Air Side
1/8" Compression Fittings	No	3 Vac Side	No	No	No	No	No	No
Feedthrough connection	Swagelok	Swagelok	Swagelok	Swagelok	Swagelok	Swagelok	Swagelok	SwageLok
<b>Price</b>	<b>£250</b>	<b>£580</b>	<b>£320</b>	<b>£490</b>	<b>£290</b>	<b>£510</b>	<b>£510</b>	<b>£510</b>

**Notes:** Tube sizes (Diameters and Lengths) and connector styles can be mixed and matched on any 1" baseplate bolt feedthrough. Custom and modified standard 1" baseplate bolt feedthroughs are readily available

All prices given above are excluding Postage & Packing and excluding VAT or other duties that may be applicable.

Please contact the sales team at Intellevation for assistance.

Date: 6-May-09

[sales@intellevation.co.uk](mailto:sales@intellevation.co.uk)